

# URBAN LIGHTING

## SOLIX

Category:  
Outdoor

Product Type:  
Urban Lighting

Mounting Type:  
Pole



L70B10

### Description:

Solix Urban Lighting Luminaires combine bold, minimalist aesthetics with exceptional performance for urban and architectural spaces. Their clean lines and distinctive geometric profile make a sophisticated statement, while the advanced LED array ensures powerful, efficient, and long-lasting illumination.

### Specifications:

Wattage	Lumen	Efficacy	Power Factor	CRI	CCT	Voltage	Frequency	Dimensions (mm)			
								L1	L2	W	H
25W	2500lm	100lm/w	>0.95	70	3000-5700K	220-240 VAC	50/60 Hz	3000	650	230	60
50W	5000lm	100lm/w	>0.95	70	3000-5700K	220-240 VAC	50/60 Hz	4000	650	230	60
75W	7500lm	100lm/w	>0.95	70	3000-5700K	220-240 VAC	50/60 Hz	5000	800	230	60
100W	10000lm	100lm/w	>0.95	70	3000-5700K	220-240 VAC	50/60 Hz	6000	800	230	60

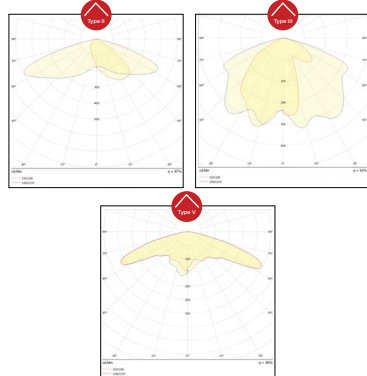
\*Values above according to tests made with 3000K and wide beam angle.

\*Available in CRI 80 on request.

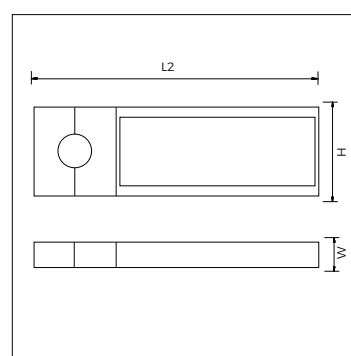
### Features:

Body Material	Finishing	Optics	Driver	Driver Mounting	Beam Angle
Aluminium Extrusion	Electrostatic Painting	Special Optical Silicone Rubber	Included	Separated	Type II, Type III, Type V

### Photometric:



### General Dimensions:



### Body Finish:



### Applications:

