

URBAN LIGHTING

SOLIX

Category:
Outdoor

Product Type:
Urban Lighting

Mounting Type:
Post-top



Description:

Solix Dou Head Urban Lighting Luminaires bring a modern, architectural aesthetic to urban environments. Featuring a sleek dual-head design, they offer balanced and powerful illumination for streets, pathways, and public spaces. The minimalist structure and advanced LED technology ensure energy efficiency, durability, and refined visual harmony in any urban setting.

Specifications:

Wattage	Lumen	Efficacy	Power Factor	CRI	CCT	Voltage	Frequency	Dimensions (mm)			
								L1	L2	W	H
50W	5000lm	100lm/w	>0.95	70	3000-5700K	220-240 VAC	50/60 Hz	3000	650	230	60
100W	10000lm	100lm/w	>0.95	70	3000-5700K	220-240 VAC	50/60 Hz	4000	650	230	60
150W	15000lm	100lm/w	>0.95	70	3000-5700K	220-240 VAC	50/60 Hz	5000	800	230	60
200W	20000lm	100lm/w	>0.95	70	3000-5700K	220-240 VAC	50/60 Hz	6000	800	230	60

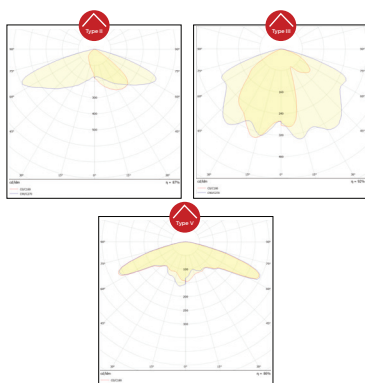
*Values above according to tests made with 3000K and wide beam angle.

*Available in CRI 90 on request.

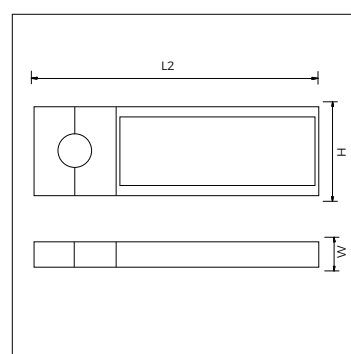
Features:

Body Material	Finishing	Optics	Driver	Driver Mounting	Beam Angle
Die-Cast Aluminum	Electrostatic Painting	Special Optical Silicone Rubber	Included	Separated	Type II, Type III, Type V

Photometric:



General Dimensions:



Body Finish:



Applications:

