

URBAN LIGHTING

PLUTO

Category:
Outdoor

Product Type:
Urban Lighting

Mounting Type:
Post-top



L70B10

Description:

Pluto post top luminaires combine modern design with high efficiency. Constructed from durable die-cast aluminum with clear impact-resistant lenses, they offer long-lasting LED performance—ensuring reliable operation that meets your project’s highest demands. Available with a NEMA socket for wireless control.

Specifications:

Wattage	Lumen	Efficacy	Power Factor	CRI	CCT	Voltage	Frequency	Dimensions (mm)		
								L	R	H
20W	2400lm	120lm/w	>0.95	80	3000-5700K	220-240 VAC	50/60 Hz	3000	371	420
40W	4800lm	120lm/w	>0.95	80	3000-5700K	220-240 VAC	50/60 Hz	4000	371	420
60W	7200lm	120lm/w	>0.95	80	3000-5700K	220-240 VAC	50/60 Hz	5000	371	420

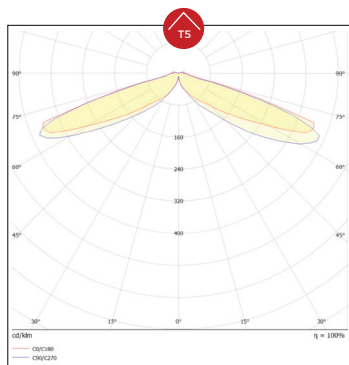
*Values above according to tests made with 3000K and wide beam angle.

*Available in CRI 90 on request.

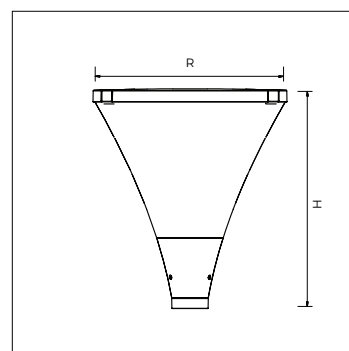
Features:

Body Material	Finishing	Optics	Driver	Driver Mounting	Beam Angle
Die-Cast Aluminum	Electrostatic Painting	PC	Included	Separated	T5

Photometric:



General Dimensions:



Body Finish:



Accessories:



Applications:

