

STREET LIGHTING VIRGO

Category:
Outdoor

Product Type:
Street Lighting

Mounting Type:
Pole



Description:

Virgo street lighting luminaires feature energy-efficient LED technology, providing bright and reliable illumination while reducing energy consumption and maintenance costs.



Specifications:

Wattage	Lumen	Efficacy	Power Factor	CRI	CCT	Voltage	Frequency	Dimensions (mm)		
								L	W	H
50W	7750lm	155lm/w	>0.95	70	3000-5700K	100-277 VAC	50/60 Hz	551	289	136
100W	15500lm	155lm/w	>0.95	70	3000-5700K	100-277 VAC	50/60 Hz	551	289	136
125W	18750lm	150lm/w	>0.95	70	3000-5700K	100-277 VAC	50/60 Hz	551	289	136
150W	23250lm	155lm/w	>0.95	70	3000-5700K	100-277 VAC	50/60 Hz	635	214	104
200W	31000lm	155lm/w	>0.95	70	3000-5700K	100-277 VAC	50/60 Hz	635	214	104
250W	38750lm	155lm/w	>0.95	70	3000-5700K	100-277 VAC	50/60 Hz	635	214	104
300W	43500lm	145lm/w	>0.95	70	3000-5700K	100-277 VAC	50/60 Hz	635	214	104

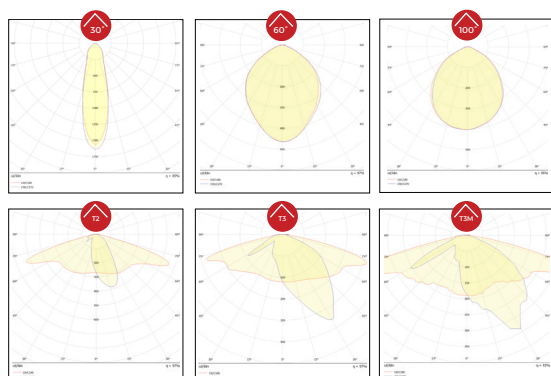
*Available in different CCTs on request.

*Available in 160lm/w on request.

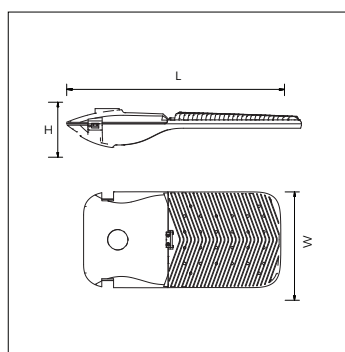
Features:

Body Material	Finishing	Optics	Thermal Dissipation	Driver	Driver Mounting	Beam Angle
Die Cast Aluminium	Electrostatic Painting	PMMA Lens Covered by Tempered Glass	Passive	Included	Separated - Inside	30°, 60°, 100° T2, T3 & T3M

Photometric:



General Dimensions:



Body Finish:



Applications:

