

STREET LIGHTING VIRGO SUPERNOVA

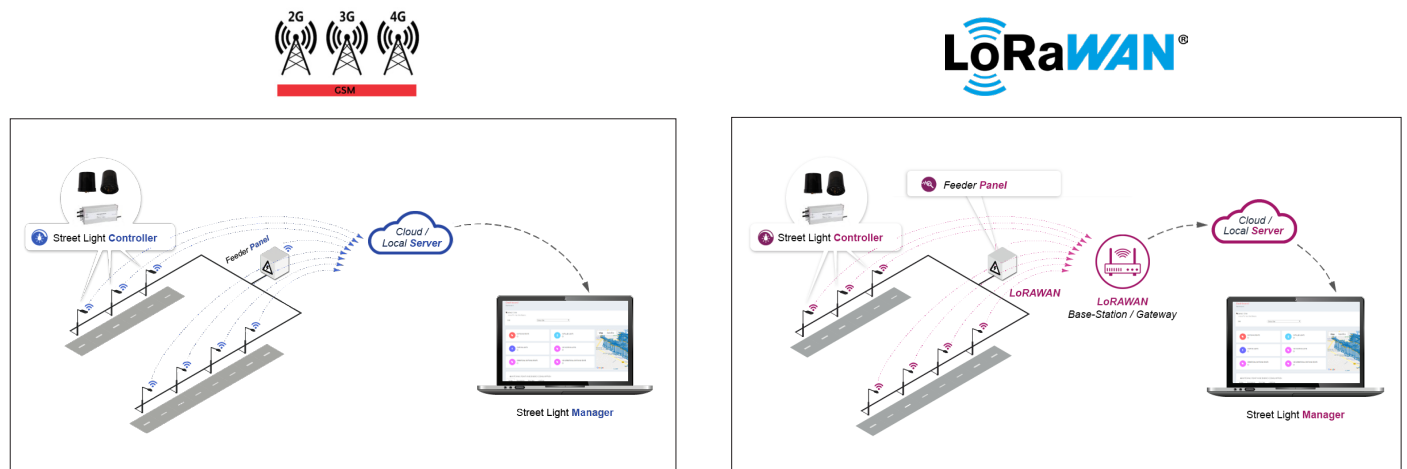
Description:

VIRGO SUPERNOVA street lighting luminaires have the same specifications as Virgo and Virgo HE models. Additionally, they are IoT-enabled, utilizing NEMA/Zhaga standards with various communication protocols and equipped with a PIR sensor.

IoT Street Light Management System – Top Advantages:

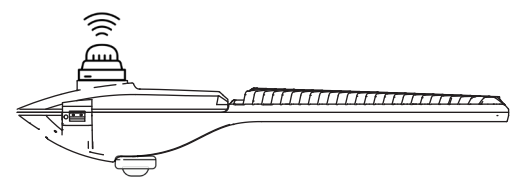


Based on requirements, we provide smart outdoor lighting solutions that use the following communication technology:

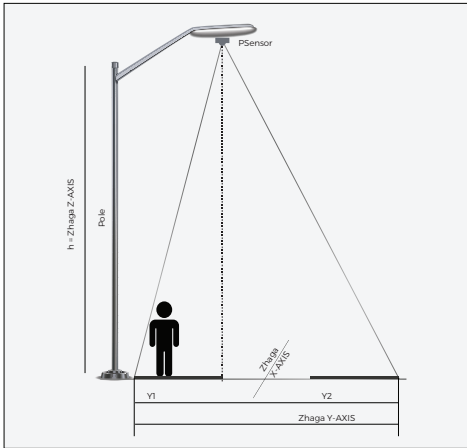


	GSM 2G, 3G and 4G	LoraWAN
Network Topolgy	Quad Band GSM/4G Band	868MHz (EUR) Point to Point Communication
Gateway	Not Required	Required
Control Latency (3)	< 5 Seconds	< 5 Seconds
Periodic Data Collection	< 1 Minute	< 1 Minute

Control Hardware and Accessories:



PIR Sensor and Motion Detection:



Height	Detection Area				Covered Area
	x	y	y ₁	y ₂	
4.0 m	17.0 m	8 m	2.0 m	6.0 m	136 m ²
4.5 m	19.3 m	9 m	2.3 m	6.8 m	173 m ²
5.0 m	21.5 m	10 m	2.5 m	7.5 m	215 m ²
5.5 m	23.8 m	11 m	2.8 m	8.3 m	261 m ²
6.0 m	26.0 m	12 m	3.0 m	9.0 m	312 m ²
6.5 m	28.3 m	13 m	3.3 m	9.8 m	367 m ²
7.0 m	30.5 m	14 m	3.5 m	10.5 m	427 m ²
7.5 m	32.8 m	15 m	3.8 m	11.3 m	491 m ²
8.0 m	35.0 m	16 m	4.0 m	12.0 m	560 m ²

Specifications:

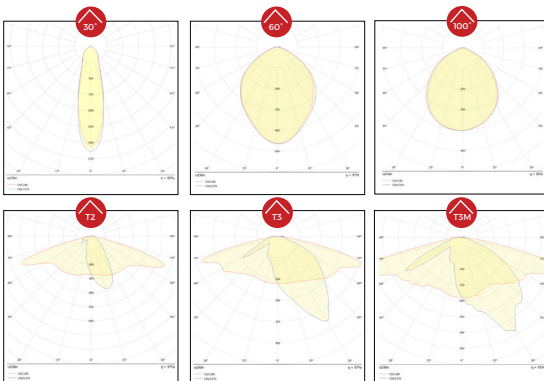
Wattage	Virgo		Virgo HE		Power Factor	CRI	CCT	Voltage	Frequency	Dimensions (mm)		
	Lumen	Efficacy	Lumen	Efficacy						L	W	H
50W	7500lm	155lm/w	8500lm	170lm/w	>0.95	70	3000-5700K	100-277 VAC	50/60 Hz	551	289	136
100W	15500lm	155lm/w	17000lm	170lm/w	>0.95	70	3000-5700K	100-277 VAC	50/60 Hz	551	289	136
125W	18750lm	150lm/w	NA	NA	>0.95	70	3000-5700K	100-277 VAC	50/60 Hz	635	214	104
150W	23250lm	155lm/w	25500lm	170lm/w	>0.95	70	3000-5700K	100-277 VAC	50/60 Hz	635	214	104
200W	31000lm	155lm/w	34000lm	170lm/w	>0.95	70	3000-5700K	100-277 VAC	50/60 Hz	635	214	104
250W	38750lm	155lm/w	42500lm	170lm/w	>0.95	70	3000-5700K	100-277 VAC	50/60 Hz	635	214	104
300W	46500lm	155lm/w	48000lm	160lm/w	>0.95	70	3000-5700K	100-277 VAC	50/60 Hz	635	214	104

*Available in different CCTs on request.

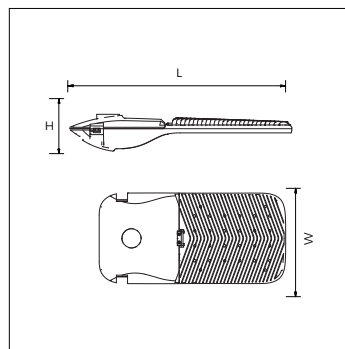
Features:

Body Material	Finishing	Optics	Thermal Dissipation	Driver	Driver Mounting	Beam Angle
Die Cast Aluminium	Electrostatic Painting	PMMA Lens Covered by Tempered Glass	Passive	Included	Separated - Inside	30°, 60°, 100° T2, T3 & T3M

Photometric:



General Dimensions:



Body Finish:



Applications:

