

STREET LIGHTING

VIRGO HE

Category:
Outdoor

Product Type:
Street Lighting

Mounting Type:
Pole



Description:

Virgo High-Efficacy (HE) street lighting luminaires are designed to deliver the maximum lumen output, providing bright and reliable illumination while reducing energy consumption and maintenance costs.



L90B50

Specifications:

Wattage	Lumen	Efficacy	Power Factor	CRI	CCT	Voltage	Frequency	Dimensions (mm)		
								L	W	H
50W	8500lm	170lm/w	>0.95	70	3000-5700K	100-277 VAC	50/60 Hz	551	289	136
100W	17000lm	170lm/w	>0.95	70	3000-5700K	100-277 VAC	50/60 Hz	551	289	136
150W	25500lm	170lm/w	>0.95	70	3000-5700K	100-277 VAC	50/60 Hz	635	214	104
200W	34000lm	170lm/w	>0.95	70	3000-5700K	100-277 VAC	50/60 Hz	635	214	104
250W	42500lm	170lm/w	>0.95	70	3000-5700K	100-277 VAC	50/60 Hz	635	214	104
300W	48000lm	160lm/w	>0.95	70	3000-5700K	100-277 VAC	50/60 Hz	635	214	104

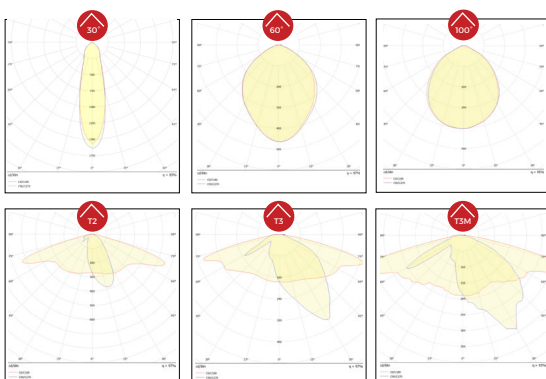
*Available in different CCT upon request.

*Certified voltage range 100-265 VAC.

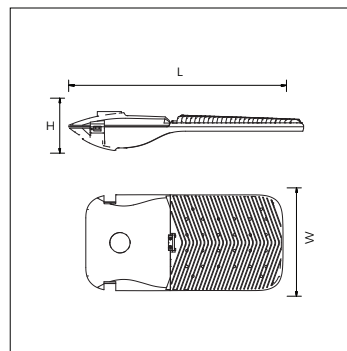
Features:

Body Material	Finishing	Optics	Thermal Dissipation	Driver	Driver Mounting	Beam Angle
Die Cast Aluminium	Electrostatic Painting	PMMA Covered by Tempered Glass	Passive	Included	Separated - Inside	30°, 60°, 100° T2, T3 & T3M

Photometric:



General Dimensions:



Body Finish:



Applications:

