

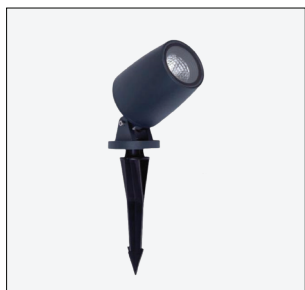
SPIKE LIGHTING

GEMINI

Category:
Outdoor

Product Type:
Landscape Lighting

Mounting Type:
Spike



L70B50

Description:

Gemini landscape spike luminaires featuring multiple optics for customizable beam angles. Ideal for landscape and architectural lighting, They offer energy-efficiency, high lumen output, adjustable angles, and durable construction for long-lasting performance in all weather conditions.

Specifications:

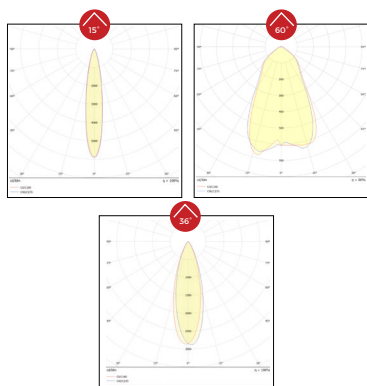
Wattage	Lumen	Efficacy	Power Factor	CRI	CCT	Voltage	Frequency	Dimensions (mm)	
								H	D
10W	750lm	75lm/w	>0.95	≥ 80	2700-5700K	220-240 VAC	50/60 Hz	205	140

*Available in other CCTs on request.

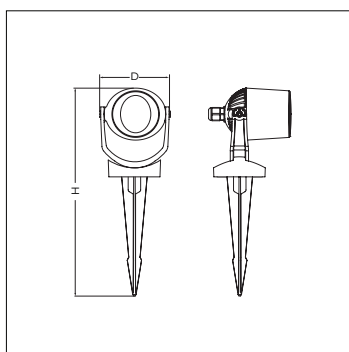
Features:

Body Material	Finishing	Optics	Driver	Driver Mounting	Beam Angle
Die-Cast Aluminum	Nano-Ceramic Coated	Polycarbonate	Included	Separated	15°, 24°, 36° & 60°

Photometric:



General Dimensions:



Body Finish:

 Matt Black

Applications:

