

FLOODLIGHTS ALTAIR

Category:
Outdoor

Product Type:
Floodlight

Mounting Type:
By Bracket



Description:

Altair floodlight fixtures are designed to deliver powerful and reliable lighting solutions tailored for large venues, ensuring exceptional brightness, uniform light distribution, and outstanding energy-efficiency. They are built with durable materials to withstand harsh weather conditions.



Specifications:

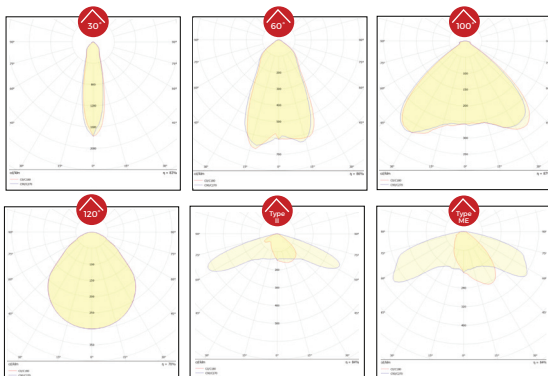
Wattage	Lumen	Efficacy	Power Factor	CRI	CCT	Voltage	Frequency	Dimensions (mm)		
								L	W	H
50W	7000lm	140lm/w	>0.97	≥ 80	3000-5700K	220-240 VAC	50/60 Hz	100	350	120
100W	14000lm	140lm/w	>0.97	≥ 80	3000-5700K	220-240 VAC	50/60 Hz	200	350	120
150W	21000lm	140lm/w	>0.97	≥ 80	3000-5700K	220-240 VAC	50/60 Hz	300	350	120
200W	28000lm	140lm/w	>0.97	≥ 80	3000-5700K	220-240 VAC	50/60 Hz	400	350	120
250W	35000lm	140lm/w	>0.97	≥ 80	3000-5700K	220-240 VAC	50/60 Hz	500	350	120
300W	42000lm	140lm/w	>0.97	≥ 80	3000-5700K	220-240 VAC	50/60 Hz	600	350	120
400W	56000lm	140lm/w	>0.97	≥ 80	3000-5700K	220-240 VAC	50/60 Hz	400	700	120
500W	70000lm	140lm/w	>0.97	≥ 80	3000-5700K	220-240 VAC	50/60 Hz	500	700	120
600W	84000lm	140lm/w	>0.97	≥ 80	3000-5700K	220-240 VAC	50/60 Hz	600	700	120
700W	98000lm	140lm/w	>0.97	≥ 80	3000-5700K	220-240 VAC	50/60 Hz	700	700	120
800W	112000lm	140lm/w	>0.97	≥ 80	3000-5700K	220-240 VAC	50/60 Hz	800	700	120
900W	126000lm	140lm/w	>0.97	≥ 80	3000-5700K	220-240 VAC	50/60 Hz	900	700	120
1000W	140000lm	140lm/w	>0.97	≥ 80	3000-5700K	220-240 VAC	50/60 Hz	1000	700	120
1100W	154000lm	140lm/w	>0.97	≥ 80	3000-5700K	220-240 VAC	50/60 Hz	1100	700	120
1200W	168000LM	140lm/w	>0.97	≥ 80	3000-5700K	220-240 VAC	50/60 Hz	1200	700	120

*Available with L70B50 70,000hrs and 130lm/w.

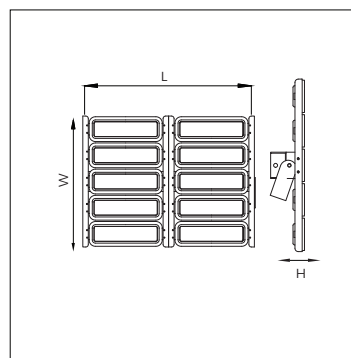
Features:

Body Material	Finishing	Optics	Driver	Driver Mounting	Beam Angle
Die Cast Aluminium	Zinc Rich	PC Covered with Tempered Glass	Included	Integrated	30°, 60°, 100°, 120° Type II & Type ME

Photometric:



General Dimensions:



Body Finish:

 Matt Black

Applications:

