

EMERGENCY LIGHTING

SAFESIGN

Category:
Indoor

Product Type:
Emergency

Mounting Type:
Wall-mounted, Ceiling-mounted
Flag-mounted, Track-mounted,
Recessed-mounted & Suspended
mounting



Description:

SafeSign emergency exit signs combine durability and functionality with their robust body, PMMA diffuser, and integrated LED driver. Designed for versatile use with several mounting types. They include universally recognized pictograms and offers a reliable 3-hour emergency backup



Specifications:

Wattage	Lumen	CRI	CCT	Voltage	Frequency	Mode	Dimensions (mm)		
							W	L	H
3.5W	110lm	≥ 80	6500K	220-240 VAC	50/60 Hz	Maintained	42	339	245

Features:

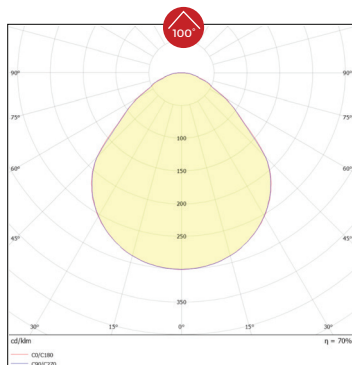
Body Material	Finishing	Optics	Thermal Dissipation	Driver	Driver Mounting	Beam Angle
Polycarbonate Injection	White PC	PMMA Diffuser with Pictogram	Passive	EM Kit	Inside	100°

Emergency

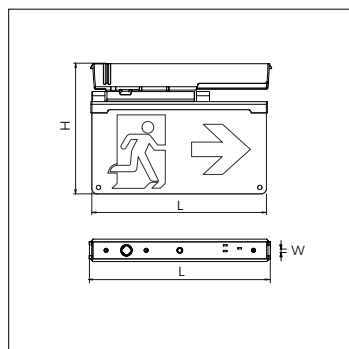
Operation Time	Power	Lumen	Charging Time	View Distance	Battery Type	Operating Temp.
3 Hours	0.4W	50lm	>24hours	24M	LiFePO4	0-50°C

*Compatible with DALI control upon request.

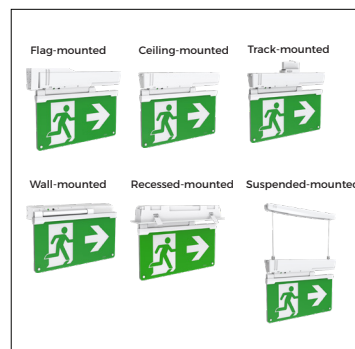
Photometric:



General Dimensions:



Mounting Types:



Applications:

