

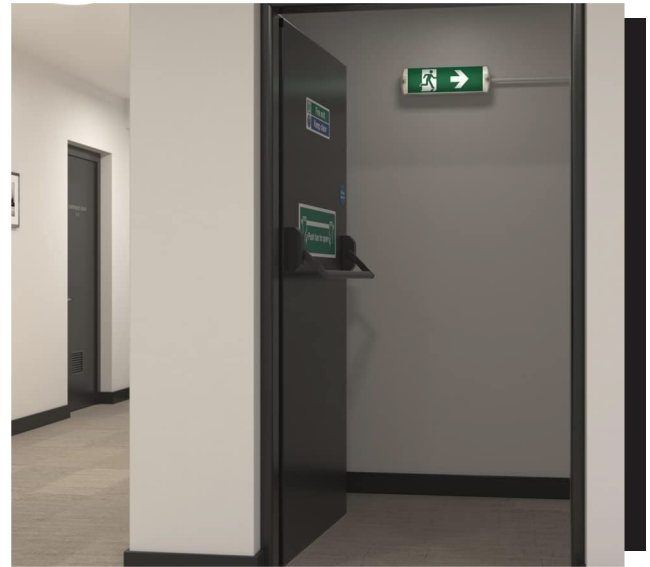
# EMERGENCY LIGHTING

## SAFESIGN BH

Category:  
Indoor

Product Type:  
Emergency

Mounting Type:  
Surface-mounted



### Description:

SafeSign BH wall-mounted emergency exit sign bulkheads with a durable body and integrated LED driver. They include clear pictograms, provide up to 3 hours of emergency backup, and are available in maintained or non-maintained modes, ensuring reliable safety guidance.



### Specifications:

Wattage	Lumen	CRI	CCT	Voltage	Frequency	Mode	Dimensions (mm)			
							W	L1	L2	H
3.8W	300lm	≥ 80	6500K	220-240 VAC	50/60 Hz	Maintained & Non Maintained	110	350	260	60

### Features:

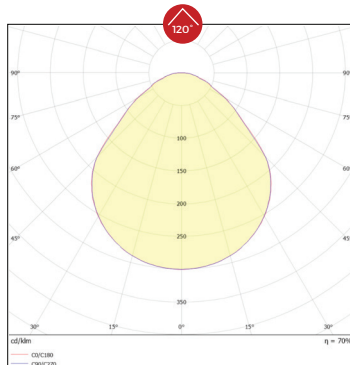
Body Material	Finishing	Optics	Thermal Dissipation	Driver	Driver Mounting	Beam Angle
Polycarbonate Injection	PC/ABS	PC/PS	Passive	EM Kit	Inside	120°

### Emergency

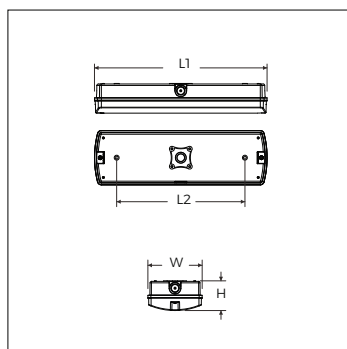
Power	Lumen	Operation Time	Charging Time	View Distance	Battery Type	Operating Temp.
0.5W	90lm	3 Hours	>24hours	18M	LiFePO4	0-50°C
1.2W	200lm	3 Hours	>24hours	18M	Ni-Cd	0-50°C

\*Compatible with DALI control upon request.

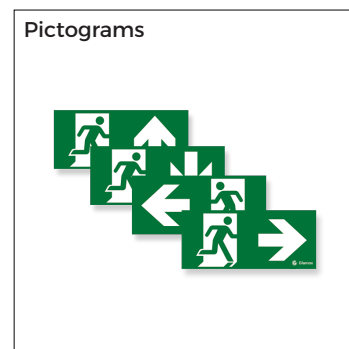
### Photometric:



### General Dimensions:



### Accessories:



### Body Finish:

Matt White

### Applications:

