

URBAN LIGHTING

ESTELLA L

Category:
Outdoor

Product Type:
Street Lighting

Mounting Type:
Pole



L80B80

Description:

Estella L urban lighting luminaires designed to illuminate public spaces within cities, enhancing safety, aesthetics, and functionality. Typically blend modern technology with efficient design providing effective lighting solutions for streets, parks, squares, and other urban areas.

Specifications:

Wattage	Lumen	Efficacy	Power Factor	CRI	CCT	Voltage	Frequency	Dimensions (mm)			
								H	W	L1	L2
25W	2500lm	100lm/w	>0.95	≥ 70	3000-5700K	110-277 VAC	50/60 Hz	3000	80	150	1000
50W	5000lm	100lm/w	>0.95	≥ 70	3000-5700K	110-277 VAC	50/60 Hz	4000	80	150	1000
75W	7500lm	100lm/w	>0.95	≥ 70	3000-5700K	110-277 VAC	50/60 Hz	5000	80	150	1000
100W	10000lm	100lm/w	>0.95	≥ 70	3000-5700K	110-277 VAC	50/60 Hz	6000	80	150	1000

*Available in other CCTs on request.

*Available in CRI 80 on request.

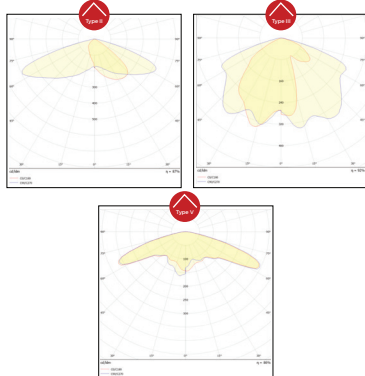
*Available in cross sectional 100x150mm.

*Available in higher wattages and longer heights.

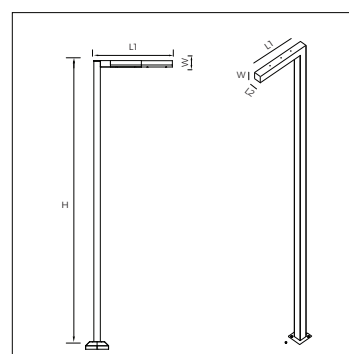
Features:

Body Material	Finishing	Optics	Driver	Driver Mounting	Beam Angle
Aluminium Extrusion	Electrostatic Painting	Special Optical Silicone Rubber	Included	Separated - Inside	Type II, Type III, Type V

Photometric:



General Dimensions:



Body Finish:



Applications:

