

SPIKE LIGHTING COMA MINI



Category:
Outdoor

Product Type:
Landscape Lighting

Mounting Type:
Spike



L70B50

Description:

Coma landscape spike luminaires with unique light saber distribution are so versatile to create various lighting scenes. They are equipped with **SEI thermal management⁽²⁾** device to protect them from unexpected harsh environmental conditions.

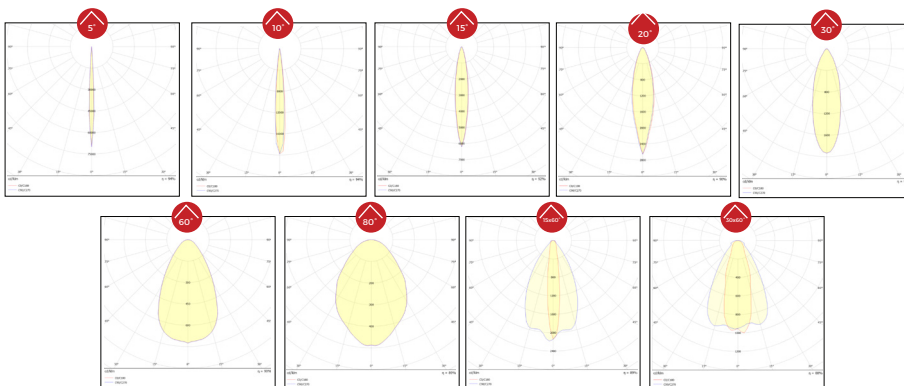
Specifications:

Wattage	Lumen	Efficacy	Power Factor	CRI	CCT	Voltage	Frequency	Dimensions (mm)		
								L	H	D
3W	240lm	80lm/w	0.9	≥ 80	2700-5700K	220-240 VAC	50/60 Hz	316	140	95
6W	480lm	80lm/w	0.9	≥ 80	2700-5700K	220-240 VAC	50/60 Hz	316	140	95
10W	800lm	80lm/w	0.9	≥ 80	2700-5700K	220-240 VAC	50/60 Hz	316	140	95
12W	1200lm	100lm/w	0.9	≥ 80	2700-5700K	220-240 VAC	50/60 Hz	316	140	95

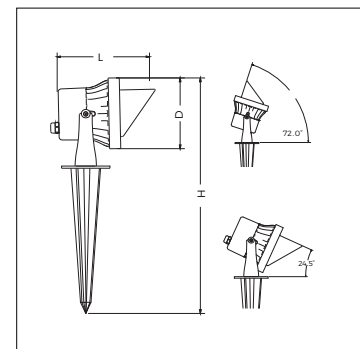
Features:

Body Material	Finishing	Optics	Driver	Driver Mounting	Beam Angle
Die-Cast Aluminum	Nano-Ceramic Coated	Polycarbonate	Included	Separated-Inside	5°, 10°, 20°, 30°, 60°, 80°, 15x60°, 30x60°

Photometric:



General Dimensions:



Applications:

