

RECESSED DOWNLIGHTS CELESTE

Category:
Indoor

Product Type:
Downlight

Mounting Type:
Recessed



Description:

Celeste downlights are stylish and energy-efficient LED lighting solution, offering bright, uniform illumination with minimal glare. Their sleek design, long-lasting durability, and easy installation make them ideal for both residential and commercial spaces.

Specifications:

Wattage	Lumen	Efficacy	Power Factor	CRI	CCT	Voltage	Frequency	Dimensions (mm)	
								Ø	H
6W	600lm	100lm/w	>0.95	≥ 80	2700-5700K	220-240 VAC	50/60 Hz	95	77
10W	1000lm	100lm/w	>0.95	≥ 80	2700-5700K	220-240 VAC	50/60 Hz	95	77
14W	1400lm	100lm/w	>0.95	≥ 80	2700-5700K	220-240 VAC	50/60 Hz	95	77

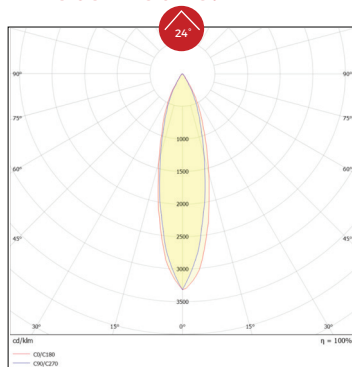
*Available in other CCTs on request.

*Available in CRI 90 on request.

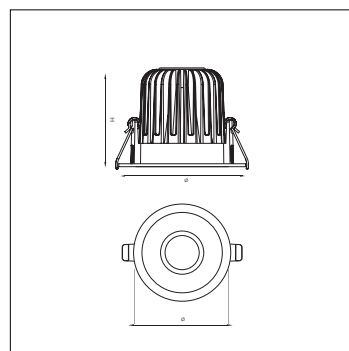
Features:

Body Material	Finishing	Optics	Driver	Driver Mounting	Beam Angle
Die-Cast Aluminum	Electrostatic Painting	Vacuum Coated Aluminium Reflector	Included	Separated	24°

Photometric:



General Dimensions:



Body Finish:



Applications:

