

RECESSED DOWNLIGHTS

AURA

Category:
Indoor

Product Type:
Downlight

Mounting Type:
Recessed



Description:

Aura downlights are designed for modern spaces, offering bright, uniform illumination with minimal glare. With a sleek design, energy-efficient technology, and long-lasting durability, they provide a cost-effective and stylish lighting solution.



L80B10

Specifications:

Wattage	Lumen	Efficacy	Power Factor	CRI	CCT	Voltage	Frequency	Dimensions (mm)		
								Ø1	Ø2	H
6W	600lm	100lm/w	>0.95	≥ 80	2700-5700K	220-240 VAC	50/60 Hz	85	75	58
10W	1000lm	100lm/w	>0.95	≥ 80	2700-5700K	220-240 VAC	50/60 Hz	85	75	58
14W	1400lm	100lm/w	>0.95	≥ 80	2700-5700K	220-240 VAC	50/60 Hz	105	95	65
20W	2000lm	100lm/w	>0.95	≥ 80	2700-5700K	220-240 VAC	50/60 Hz	105	95	65
30W	3000lm	100lm/w	>0.95	≥ 80	2700-5700K	220-240 VAC	50/60 Hz	132	115	75

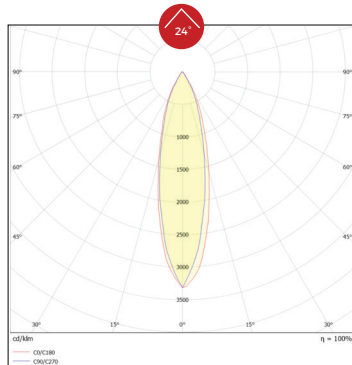
*Available in other CCTs on request.

*Available in CRI 90 on request.

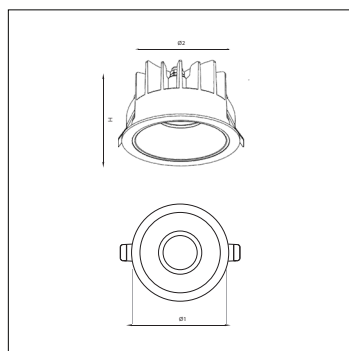
Features:

Body Material	Finishing	Optics	Driver	Driver Mounting	Beam Angle
Die-Cast Aluminum	Electrostatic Painting	Vacuum Coated PC Reflector	Included	Separated	15°, 36° & 60°

Photometric:



General Dimensions:



Body Finish:



Reflector Finish:



Applications:

