

STREET LIGHTING TITAN



Description:

TITAN LED street lighting luminaires offer longer life and lower energy, resistant to temperature changes and humidity, they're perfect for retrofitting existing lighting systems. They are manufactured in compliance with ENEC requirements and undergoing accredited testing for standards such as LM-79, LM-82, TM21-11, ISTMT and CB.



L80B50

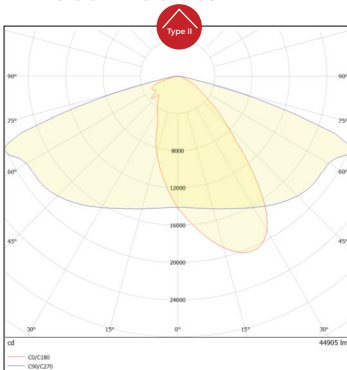
Specifications:

Wattage	Lumen	Efficacy	Power Factor	CRI	CCT	Voltage	Frequency	Dimensions (mm)		
								L	W	H
320W	43200 lm	135lm/w	>0.95	≥ 70	3000-5700K	120-277 VAC	50 Hz	934	408	170

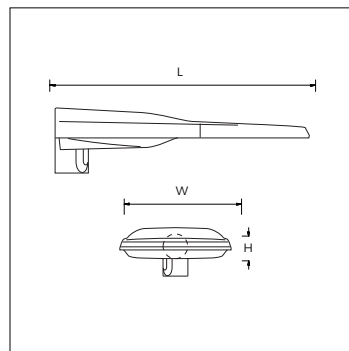
Features:

Body Material	Finishing	Optics	Driver	Driver Mounting	Beam Angle
Die Cast Aluminium	Electrostatic Painting	PC Lens Covered by Tempered Glass	Included	Separated - Inside	Type II

Photometric:



General Dimensions:



Body Finish:



Grey

Applications:

