

RECESSED DOWNLIGHTS PAVO COB



Description:

PAVO COB downlights are highly efficient recessed luminaires which create uniform light distribution. They are environmentally friendly, easy to install with long lifetime.



Specifications:

Wattage	Lumen	Efficacy	Power Factor	CRI	CCT	Voltage	Frequency	Dimensions (mm)		
								D1	D2	H
6W	690lm	115lm/w	>0.95	≥ 80	3000-6500K	220-240 VAC	50 Hz	115	95	47
10W	1115lm	115lm/w	>0.95	≥ 80	3000-6500K	220-240 VAC	50 Hz	145	130	82
14W	1610lm	115lm/w	>0.95	≥ 80	3000-6500K	220-240 VAC	50 Hz	145	130	82
20W	2300lm	115lm/w	>0.95	≥ 80	3000-6500K	220-240 VAC	50 Hz	190	165	62
30W	3450lm	115lm/w	>0.95	≥ 80	3000-6500K	220-240 VAC	50 Hz	230	200	74

*Above values are based on SEI calibrated machines testing on the one with clear glass cover.

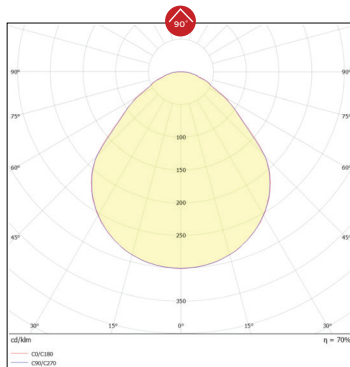
*Above values will be decreased by 1% on the one with semi-diffused glass cover.

*Dimming option available on request.

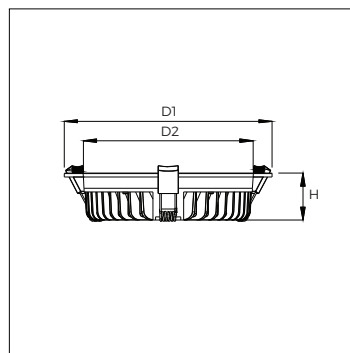
Features:

Body Material	Finishing	Optics	Thermal Dissipation	Driver	Driver Mounting	Beam Angle
Die Cast Aluminium	Electrostatic Painting	PC with Clear Glass or Semi-diffused Glass	Passive	Included	External	90°

Photometric:



General Dimensions:



Body Finish:



Applications:

