

STREET LIGHTING DRACO



Description:

Draco LED street lighting luminaires ensure optimum optical control and high corrosion resistance, easy to install with low maintenance costs and leading-edge lighting performance.



L90B50

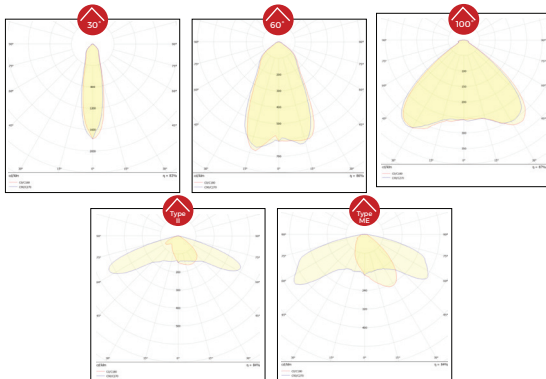
Specifications:

Wattage	Lumen	Efficacy	Power Factor	CRI	CCT	Voltage	Frequency	Dimensions (mm)		
								L	W	H
100W	11000lm	110lm/w	>0.95	≥ 70	3000-6500K	100-305 VAC	50 Hz	740	300	121
150W	16500lm	110lm/w	>0.95	≥ 70	3000-6500K	100-305 VAC	50 Hz	740	300	121

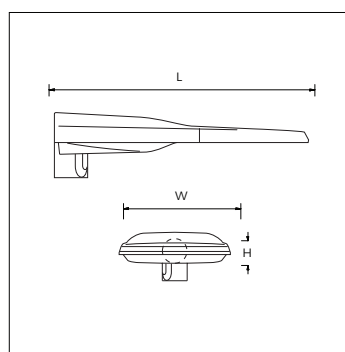
Features:

Body Material	Finishing	Optics	Thermal Dissipation	Driver	Driver Mounting	Beam Angle
Die Cast Aluminium	Electrostatic Painting	PMMA Lens with Outer PC Reflector	Passive	Included	Separated - Inside	30°, 60°, 100° Type II & Type ME

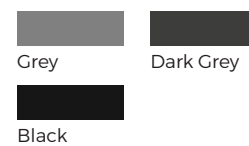
Photometric:



General Dimensions:



Body Finish:



Applications:

