

PANELS

CATALOGUE



CONTENT

INTRODUCTION.....	04-05
MV SWITCHGEARS.....	08-28
- MV SYSclad.....	08-11
- MV RMSYS.....	12-15
- MV SYSstem6.....	16-20
- MV SARING.....	21-25
- MV SKCPS.....	26-28
MV CAPACITORS BANK.....	30-34
- AC Power Capacitors.....	30-32
- AC Power Capacitors 3-Phase	33-34
LV SWITCHGEARS.....	36-47
- LV Techno Module.....	36-41
- LV Transformer Panel TR.....	42-43
- LV D-Pillar.....	44-45
- LV D-Coffret.....	46-47
ELSEWEDY SERVICES DEPARTMENT.....	50-51
PROJECTS REFERENCE LIST.....	52-68

Zaki ElSewedy Group was founded in 1938, as a supplier of electrical materials.

In 1960, it was elected by the Egyptian Government as an integral supplier for the largest project at the time “The High Dam of Aswan”.

Since then, The Holding Company has evolved to include various subsidiaries in different market sectors; including AIIT SEI and SI with over 80 years of experience in the MEA region.

ElSewedy Engineering Industries has managed to sustain its success in a continuously changing market through a constant focus on innovation and evolving business practices, while maintaining the highest ethical standards and meeting customer needs.

ElSewedy Engineering Industries has been investing heavily over the past few years in order to expand its presence throughout the MEA region, by upgrading our distribution networks, increasing our regional warehouses, depots, distribution fleet, as well as opening our own showroom.



ELSEWEDY ENGINEERING INDUSTRIES (SEI)

M.V & L.V Panels

ElSewedy Engineering Industries SEI manufactures electrical panels since 2006. Providing flexible solutions to projects in medium voltage and low voltage distribution panels with latest technology and high quality.

Our factory SEI in 6th of October industrial zone, is equipped with the latest machinery and quality control facilities that ensure the dependability of our range throughout the years.

Our workforce is highly trained, technically capable and competent, working with unprecedented enthusiasm and confidence

OUR PARTNERS



LOW VOLTAGE SWITCHGEARS



D-Pillar

D-Pillar

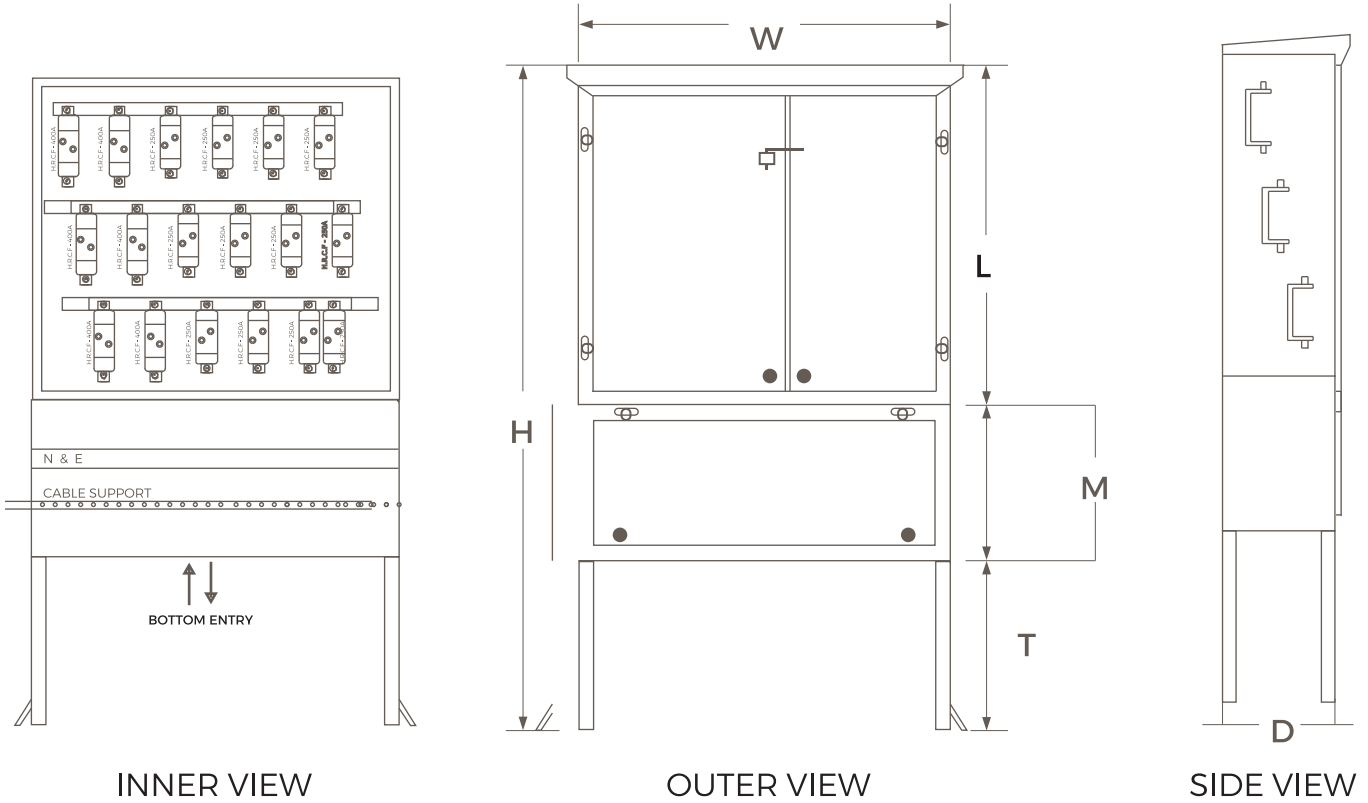
D-Pillar is designed to serve the residential projects with more simplicity and compatibility.

Technical Specifications:

- Material: Sheet metal 2mm thickness
- Finishing: Electrostatic powder coating light grey RAL7035
- Max. load: 1000 A
- Short circuit level: 50 kA
- Degree of protection: Up to IP54
- Fuse approved: ETAL or GAD or Equivalent
- Incoming: Fuse 400 A, Base 630 A /or optional CB according to specs
- Outgoing: Fuse 250 A, Base 400 A /or optional CB according to specs
- Bus bar: High purity copper
- Outdoor type with canopy
- Comply with standard IEC 61439 -1,2
- Comply with electricity distribution companies specifications

Detailed Drawings “Dimensions”

For Pillars with Fuse/Fuse Base



Description	Incoming	Outgoing	H Cm	W Cm	D Cm	L Cm	M Cm	T Cm	Order Code
D-Pillar 6 Lines	Two “400/630”	Four “250/400”	200	116	40	100	48	52	PLDBDPST06FS540
D-Pillar 7 Lines	Three “400/630”	Four “250/400”	200	132	40	100	48	52	PLDBDPST07FS540
D-Pillar 8 Lines	Three “400/630”	Five “250/400”	200	148	40	100	48	52	PLDBDPST08FS540

Ordering Information

Product Type		Product Voltage		Product Family		Series		Material Type		Number of lines	Mounting		IP
P =	Panel	L =	Low Voltage	DB =	Distribution Box	DP =	D-Pillar	ST =	Steel	6	FS =	Free	42
										7		Standing	54
										8			

Norms and Homologations



Authorisation Certificate

Panel Builder Partner

SEI

Elsewedy For Engineering Industries

19.5km Cairo-Alexandria Dessert Road, Giza.

has been certified as a Qualified Assembly Manufacturer by ABB for Electrical Industries S.A.E to assemble the following ABB distribution boards according to IEC61439-1,-2 and -3 standards and ABB guidelines :

- System ProE Power - SpEp (Up to 6300A).
- IS2
- Unikit
- SR Basic
- Protecta
- Minicenter
- Primo
- GRP Panels

(*) The responsibility of assembly compliance is according to IEC 61439 Standards.

(*) This certification is valid until 31.12.2024.


Mohamed Saad El Deen
Products Sales &
Marketing Manager


Hazem El-Toukhy
Board Member


Ahmed Hammad
Chairman

Qualified Assembly Manufacturer

Scan For
Authorized Partners
on ABB website



SEI | ELSEWEDY

ENGINEERING INDUSTRIES

📍 Head Office: Kilo 19.5, Cairo-Alexandria Desert Road, Giza, Egypt.

☎ Tel: + (202) 38407106 - 38407109

📍 Factory: 53, 5th Industrial Zone, 6th of October City, Giza, Egypt.

☎ Tel: + (202) 38164079 - 38164081 📠 Fax: + (202) 38164080

✉ info@elsewedy.net 🌐 www.elsewedy.net

☎ 19052
Hotline

