

PANELS

CATALOGUE



CONTENT

INTRODUCTION	04-05
MV SWITCHGEARS	08-28
- MV SYSclad.....	08-11
- MV RMSYS.....	12-15
- MV SYSstem6.....	16-20
- MV SARING.....	21-25
- MV SKCPS.....	26-28
MV CAPACITORS BANK	30-34
- AC Power Capacitors.....	30-32
- AC Power Capacitors 3-Phase	33-34
LV SWITCHGEARS	36-47
- LV Techno Module.....	36-41
- LV Transformer Panel TR.....	42-43
- LV D-Pillar.....	44-45
- LV D-Coffret.....	46-47
ELSEWEDY SERVICES DEPARTMENT	50-51
PROJECTS REFERENCE LIST	52-68

Zaki ElSewedy Group was founded in 1938, as a supplier of electrical materials.

In 1960, it was elected by the Egyptian Government as an integral supplier for the largest project at the time “The High Dam of Aswan”.

Since then, The Holding Company has evolved to include various subsidiaries in different market sectors; including AIIT SEI and SI with over 80 years of experience in the MEA region.

ElSewedy Engineering Industries has managed to sustain its success in a continuously changing market through a constant focus on innovation and evolving business practices, while maintaining the highest ethical standards and meeting customer needs.

ElSewedy Engineering Industries has been investing heavily over the past few years in order to expand its presence throughout the MEA region, by upgrading our distribution networks, increasing our regional warehouses, depots, distribution fleet, as well as opening our own showroom.



ELSEWEDY ENGINEERING INDUSTRIES (SEI)

M.V & L.V Panels

ElSewedy Engineering Industries SEI manufactures electrical panels since 2006. Providing flexible solutions to projects in medium voltage and low voltage distribution panels with latest technology and high quality.

Our factory SEI in 6th of October industrial zone, is equipped with the latest machinery and quality control facilities that ensure the dependability of our range throughout the years.

Our workforce is highly trained, technically capable and competent, working with unprecedented enthusiasm and confidence

OUR PARTNERS



LOW VOLTAGE SWITCHGEARS



D-Coffret

D-Coffret

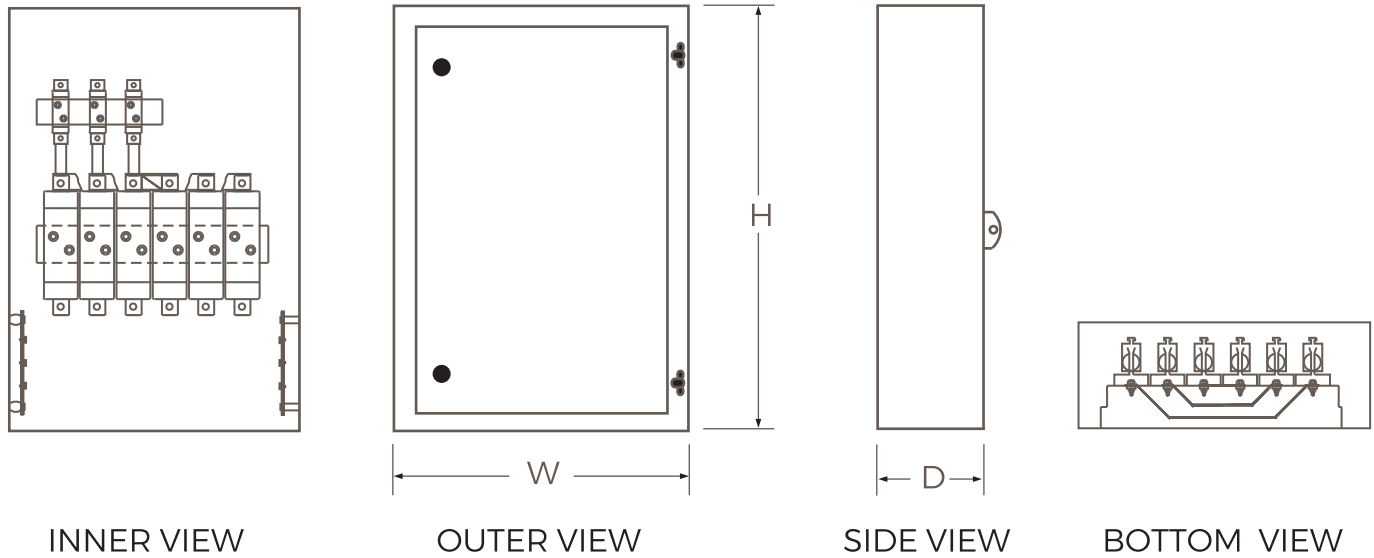
D-Coffret is designed to serve the residential projects with more simplicity and compatibility.

Technical Specifications:

- Material: Sheet metal 1.5 - 2mm thickness
- Finishing: Electrostatic powder coating light grey RAL7035
- Degree of protection: Up to IP54
- Fuse approved: ETAL or GAD or Equivalent
- Incoming: Fuse 250 A, Base 430 A /or optional CB according to specs
- Outgoing: Fuse 125 A, Base 160 A & use 160 A, base 250 A /or optional CB according to specs
- Bus bar: High purity copper
- Comply with standard IEC 61439 -1,2
- Comply with electricity distribution companies specifications

Detailed Drawings “Dimensions”

For Coffrets with Fuse/Fuse Base



Description	Incoming	Outgoing	H Cm	W Cm	D Cm	Order Code
D-Coffret 3 Lines	Two “250/400”	One “125/160”	90	60	25	PLDBDCST3160540
D-Coffret 3 Lines	Two “250/400”	One “160/250”	90	60	25	PLDBDCST3250540
D-Coffret 4 Lines	Two “250/400”	Two “125/160”	90	60	25	PLDBDCST4160540
D-Coffret 4 Lines	Two “250/400”	Two “160/250”	90	60	25	PLDBDCST4250540

Ordering Information

Product Type		Product Voltage		Product Family		Series		Material Type		Number of lines	Amp Rating	IP
P =	Panel	L =	Low Voltage	DB =	Distribution Box	DC =	D-Coffret	ST =	Steel	3	Free	42
										4	Standing	54

Norms and Homologations



Authorisation Certificate

Panel Builder Partner

SEI

Elsewedy For Engineering Industries

19.5km Cairo-Alexandria Dessert Road, Giza.

has been certified as a Qualified Assembly Manufacturer by ABB for Electrical Industries S.A.E to assemble the following ABB distribution boards according to IEC61439-1,-2 and -3 standards and ABB guidelines :

- System ProE Power - SpEp (Up to 6300A).
- IS2
- Unikit
- SR Basic
- Protecta
- Minicenter
- Primo
- GRP Panels

(*) The responsibility of assembly compliance is according to IEC 61439 Standards.

(*) This certification is valid until 31.12.2024.


Mohamed Saad El Deen
Products Sales &
Marketing Manager


Hazem El-Toukhy
Board Member


Ahmed Hammad
Chairman

Qualified Assembly Manufacturer

Scan For
Authorized Partners
on ABB website



SEI | ELSEWEDY

ENGINEERING INDUSTRIES

📍 Head Office: Kilo 19.5, Cairo-Alexandria Desert Road, Giza, Egypt.

☎ Tel: + (202) 38407106 - 38407109

📍 Factory: 53, 5th Industrial Zone, 6th of October City, Giza, Egypt.

☎ Tel: + (202) 38164079 - 38164081 📠 Fax: + (202) 38164080

✉ info@elsewedy.net 🌐 www.elsewedy.net

☎ 19052
Hotline

